



# LUX AC Home Charger



reddot winner 2024

Light up your charging, **smartly**

Designed for home and workplace charging.

# Features

---

## Dynamic Smart Charging

Additional upgrades with the accessory, EVbee Prisma, uses dynamic load balancing and dynamic phase balancing to adjust the power output to maximise charging speed while ensuring safety within circuits.



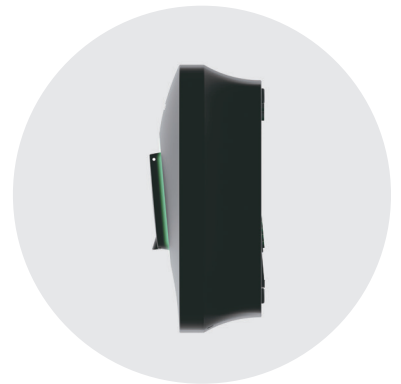
## Customisable Light Settings

Users can customise the light display to provide intuitive indications of the charging status, making monitoring charging easy. Adjust the light settings based on personal preference and to suit the ambient environment via the mobile app.



## Casing Design

The minimalistic design of the casing, which neatly accommodates the coiled charging cable, is both stylish and functional. The weather-proof protective casing means it is perfect for indoor or outdoor use.



## Flexible Control

RFID/NFC control function ensures a smooth authentication experience. The exclusive EVbee mobile app enables you to control and monitor charging sessions in real time from your smart- phone or tablet through Bluetooth, WIFI or 4G (retrofitting required if needed) connection.

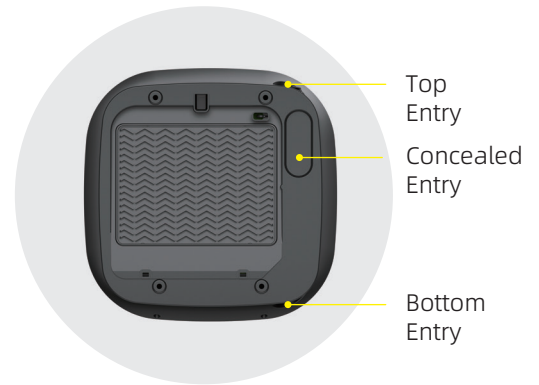


## Convenient Installation

The inner structure of the charger features a highly integrated modular design and the option of three cable entry points which ensures easy installation and maintenance.

## Aluminum Heat Sink

The rear casing of the charger uses an aluminium heat sink cooling system which features a heat dissipation power of 22kw. This guarantees the charger is operating at room temperature.



# Benefits

---

## 22 kw

### Powerful

The charger supports both 1 and 3 phase charging of up to 22 kW. It has a Type 2 standard charging connector.

## 10 x

### Efficient

With the LUX AC Home Charger, you can charge up to 10x\* faster than with a regular charger.

**Note:** 10 times faster charge requires a 3-phase installation. With 1-phase charging it is possible to charge up to 3x faster.

## 1/3 p

### Dynamic Load Balancing

The charger can adjust the charging speed according to the circuit load. It can switch between 1-phase and 3-phase charging appropriately, ensuring maximum charging efficiency and safety.

## 15 +

### Light Settings

Using the EVbee Home app, turn the LED indicator on and off, adjust brightness, and change the light effect of the "standby" and "charging" modes.

## 3 ENT

### User-Centric

There are three AC input cable entry options for the charger, which are the top entry, the concealed entry located on the back of the charger, and the bottom entry. Depending on the charger's placement, choose the most suitable entry point to use.

## 15 mins

### Easy Installation

The highly modular design allows for a quick and easy installation in as little as 15 minutes. A convenient installation process provides a better user experience.

# Scenarios

---



Private Home



Workplace



Hotel

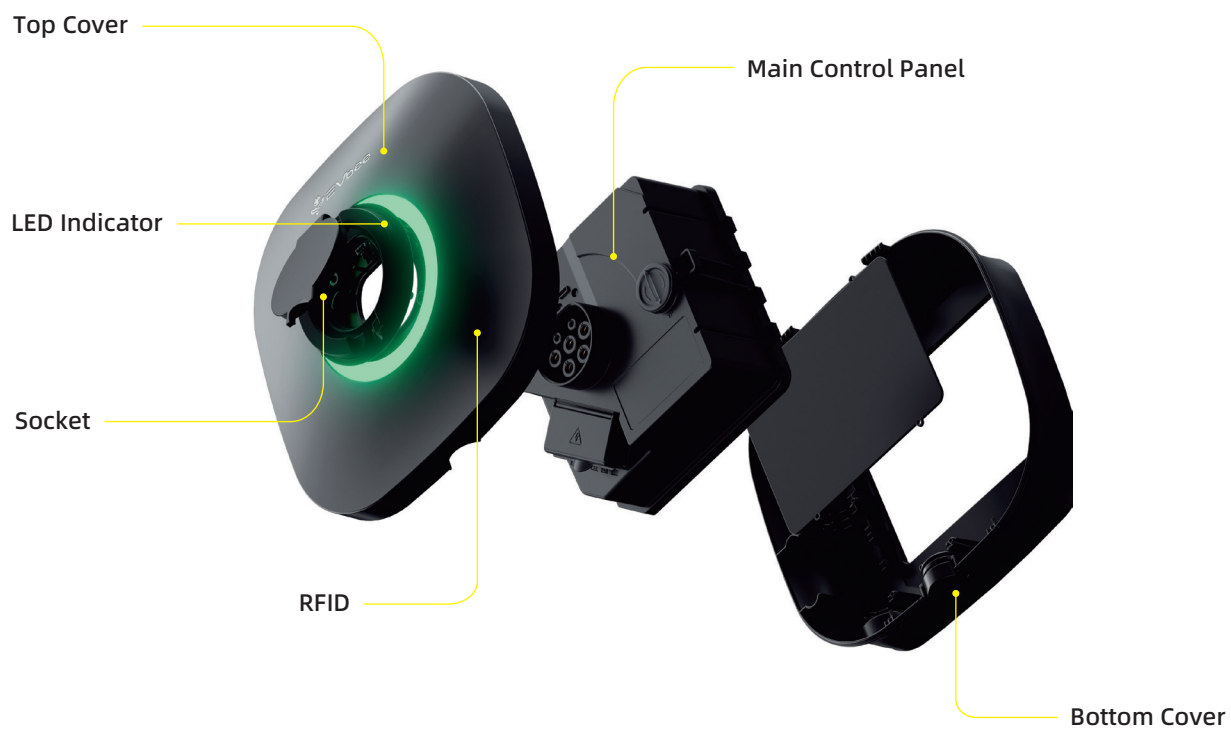


Destination Charging



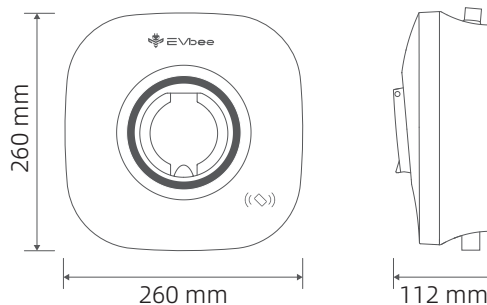


# Modular Design





## Dimensions



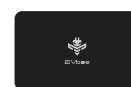
## Packaging



Charger x 1



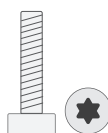
Manual x1



RFID Card x 2



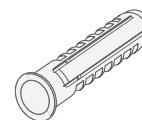
Strain Relief x 2



Torx Screw  
ST2.9\*12mm x 4



Wall Screw  
ST5.0\*40mm x 4



Wall Anchor x 4  
Φ8\*Φ6\*40mm



Sealing Plug x 2

## Technical Data

### AC Input

System Power	Max. 22kW	Max. 7.4kW
Input Phase	1/3-phase	1-phase
Input Voltage	230 / 400Vac	230Vac
Grid Frequency	50Hz/60Hz	50Hz/60Hz
Input Current	Max. 32A	Max. 32A
Grounding System	TN, TT, IT	TN, TT, IT
Input Mode	Hard-wire	Hard-wire
Input Port	L1, L2, L3, N, PE	L, N, PE
Overvoltage Category	III	III

### Charging

Charge Mode	Mode 3	Mode 3
Output Power	Max. 22kW	Max. 7.4kW
Output Phase	1/3-phase	1-phase
Output Voltage	230 / 400Vac	230Vac
Output Current	Max. 32A	Max. 32A
Energy Metering	(±2%) accuracy on readings	(±2%) accuracy on readings
Connector Type	Type 2 socket/Type 2 plug	Type 2 socket/Type 2 plug
Charging Outlet Number	1	1
Cable Length	5m (for Type 2 plug)	5m (for Type 2 plug)



# Technical Data

## Extended Function

Load Balancing	Supported	Supported
Phase Balancing	Supported	/

## Interface

External Control	EVbee Home app (for user) EVbee Service app (for installer) EVbee Garden Cloud
Local Control	RFID
Status Indicator	RGB Dynamic LED

## Communication

Communication	Bluetooth BLE 4.2 (2400-2483.5MHz) PLC (optional) Wi-Fi 802.11b/g/n (2.4GHz) 4G LTE (optional)
Platform Protocol	OCPP 1.6 JSON, OCPP 2.0.1 (future)

## Mechanical and Cosmetic

IP	IP54
IK	IK10
Size (mm)	L260 x W260 x D112mm
Weight	3.0kg
Material	Plastic and aluminium alloy
Cooling Method	Natural/passive cooling
Installation Method	Mounting on a wall or pedestal

## Operating Environment

Application Scenario	Indoor or outdoor
Operating Temperature	-30°C to +50°C
Storage Temperature	-40°C to +85°C
Operating Humidity	0%~95%RH Without condensation
Operating Altitude	≤2000m

## Safety and Protection

Electrical Protection	Temperature protection, over voltage protection, over current protection, short circuit protection, lightning protection, cp voltage protection, grounding protection, leakage current protection etc.
O-PEN Protection	Integrated in UK model
RDC-DD	DC 6mA
Fire Classification	UL 94-V0
Certification	EU model: CE, CB, TUV, RoHS UK model: UKCA, TUV, BSI, RoHS



evbee.com



evbee.global



evbee-global

Email: [info@evbee.com](mailto:info@evbee.com)

Address: Tennessedreef 3,3565 CK Utrecht, Netherlands